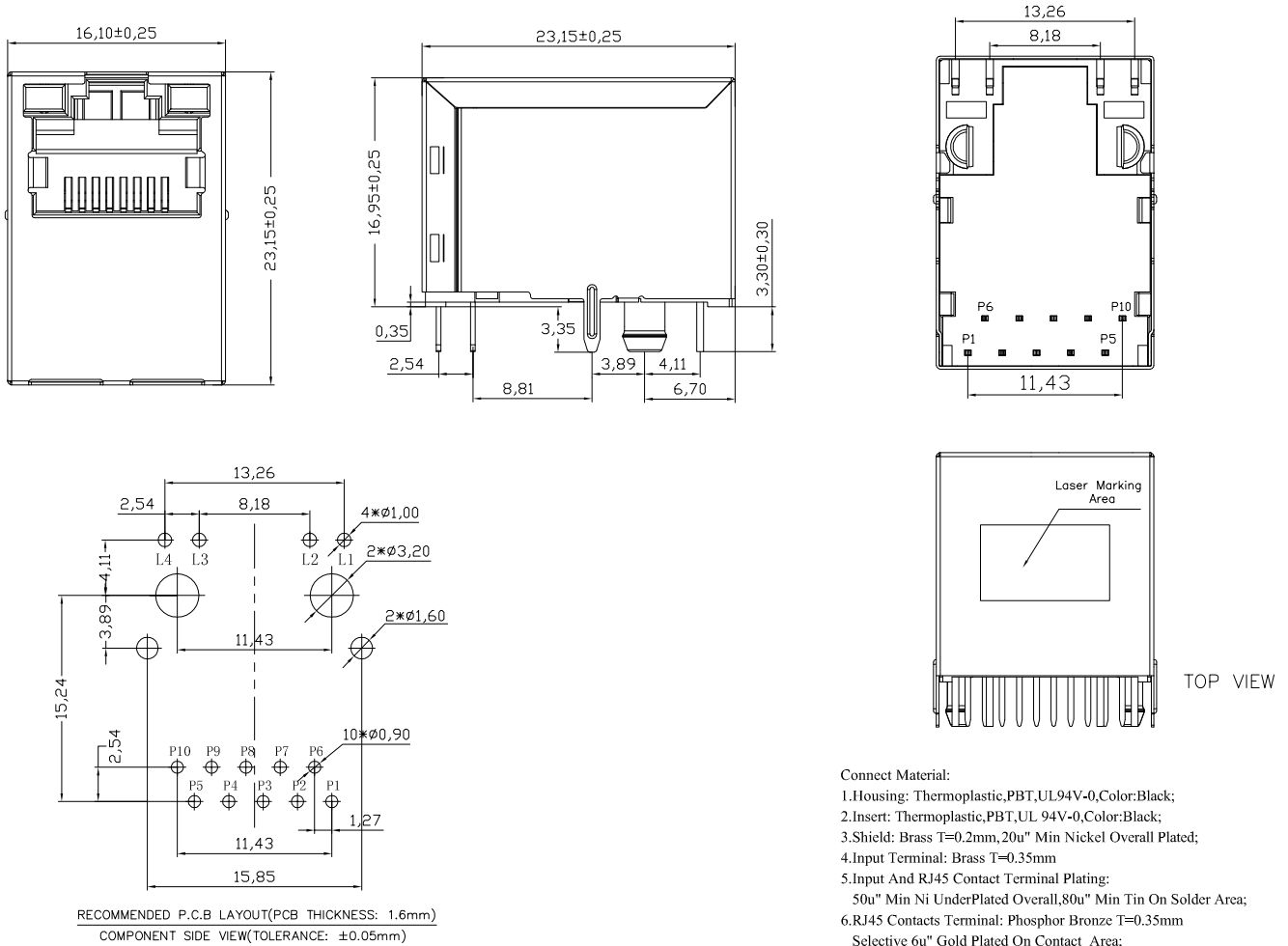


MECHANICAL:

RoHS compliant

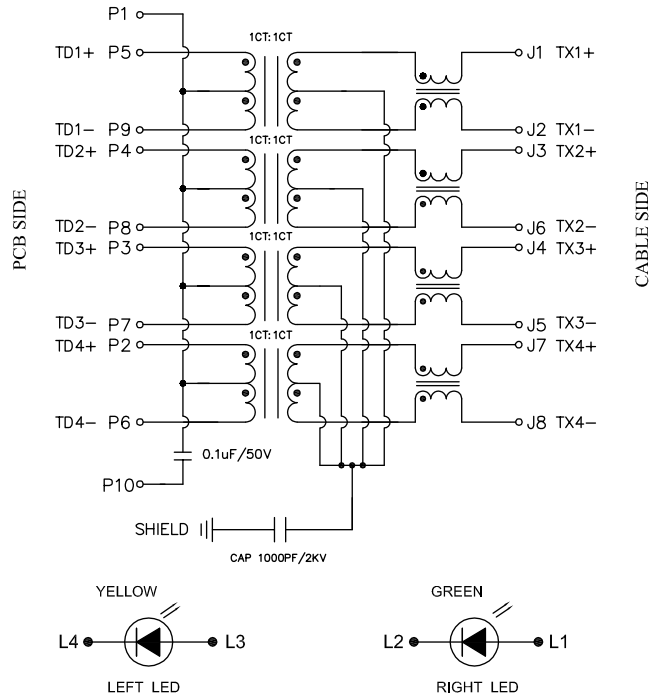


ELECTRICAL SPECIFICATIONS@25°C UNLESS OTHERWISE NOTED:

- Turn Ratio(+/-5%): 1CT:1CT
- Inductance OCL: 350uH Min @100KHz/0.1V/ 8mA DC Bias
- Insertion Loss:
-1.0dB Max 1-100MHz
- Return Loss:
-18dB Min 1-30MHz
-15dB Min 30-60MHz
-12dB Min 60-80MHz
-10dB Min 80-100MHz
- Cross talk:
-30dB Min 1-100MHz
- Common Mode Rejection:
-30dB Min 1-100MHz
- Hipot Test: (pcb side to cable side)
2250VDC 3S 1mA Max
- Operating Temperature Range: -40°C ~ +85°C
- Storage Temperature Range: -40°C ~ +85°C
- The Part Is Recommended For Wave Soldering Process .
- RJ45 Meets IEEE 802.3 Standards.
- RJ45 Cavities Conform To FCC Rules And Regulation Part 68 Subpart F.
- LED Specification:

Emitting Color	λd (nm)typ	Vf@If=20mA	Ir@Vr =5V
GREEN	565nm	1.8-2.4V	10uA Max
YELLOW	585nm	1.8-2.4V	10uA Max

SCHEMATICS



核准:	GORDEN	審核:	TSHEN	製圖:	YHW	 东莞市振力泰电子有限公司 DONGGUANSHI ZHEN LI TAI ELECTRONICS CO., LTD.	
更改:	變更內容:	日期:	28-Aug-2021	修改:	核准:	角法:	一般公差:
						尺寸單位: mm	.X± 0.25
						比例: 1 : 1	.XX± 0.20
						P/N:	TJG-L121MB6NL
							RJ45-1000BASE 1X1 180° W/ LED W/ SHIELD
						NO:	ZLT-2108075
						REV:	XA