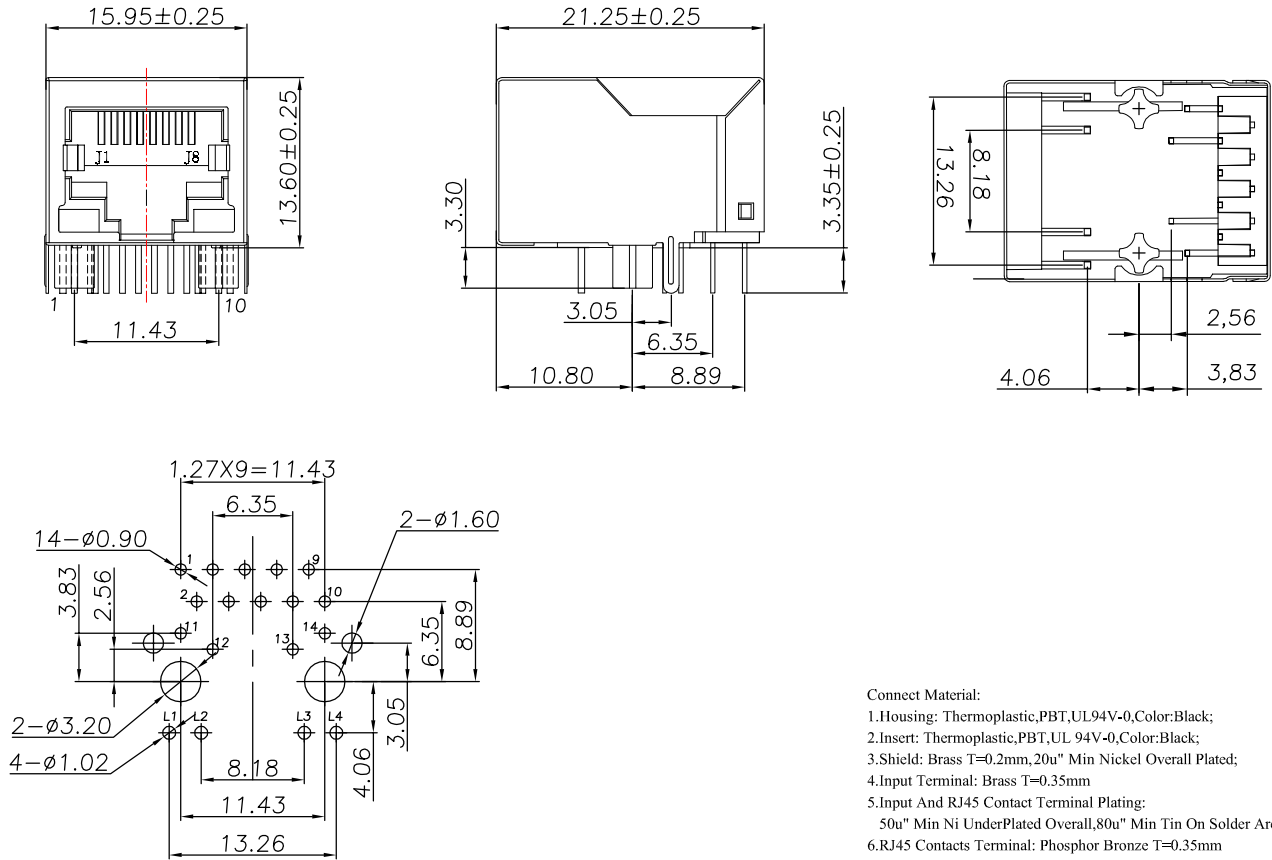


MECHANICAL:

RoHS compliant



RECOMMENDED P.C.B LAYOUT(PCB THICKNESS: 1.6mm)  
COMPONENT SIDE VIEW(TOLERANCE: ±0.05mm)

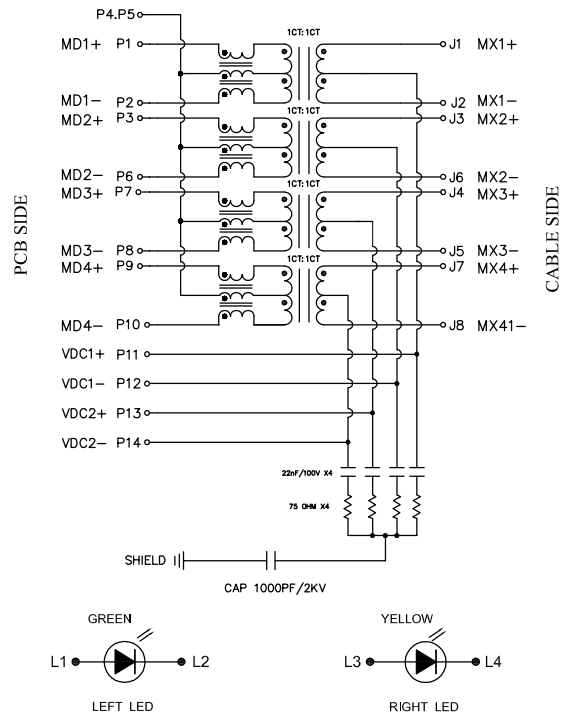
- Connect Material:
- Housing: Thermoplastic,PBT,UL94V-0,Color:Black;
  - Insert: Thermoplastic,PBT,UL 94V-0,Color:Black;
  - Shield: Brass T=0.2mm,20u" Min Nickel Overall Plated;
  - Input Terminal: Brass T=0.35mm
  - Input And RJ45 Contact Terminal Plating:  
50u" Min Ni UnderPlated Overall,80u" Min Tin On Solder Area;
  - RJ45 Contacts Terminal: Phosphor Bronze T=0.35mm  
Selective 6u" Gold Plated On Contact Area;

ELECTRICAL SPECIFICATIONS@25°C UNLESS OTHERWISE NOTED:

- Turn Ratio(+/-5%): 1CT:1CT
- Inductance OCL: 350uH Min @100KHz/0.1V/ 8mA DC Bias
- Insertion Loss:  
-1.0dB Max 1-100MHz
- Return Loss:  
-18dB Min 1-30MHz  
-15dB Min 30-60MHz  
-12dB Min 60-80MHz  
-10dB Min 80-100MHz
- Cross talk:  
-30dB Min 1-100MHz
- Common Mode Rejection:  
-30dB Min 1-100MHz
- Hipot Test: (P1-P10) to (J1-J2、J3-J6)  
2250VDC 3S 1mA Max
- Operating Temperature Range: -40°C ~ +85°C
- Compliant With IEEE 802.3af for 1000M Base-T Applications.  
DC Current/Voltage Rating-PoE : 350mA Max @48VDC Continuous.
- The Part Is Recommended For Wave Soldering Process .
- RJ45 Cavities Conform To FCC Rules And Regulation Part 68 Subpart F.
- LED Specification:

Emitting Color	λd (nm)typ	Vf@If=20mA	Ir@Vr=5V
GREEN	565nm	1.8-2.4V	10uA Max
YELLOW	585nm	1.8-2.4V	10uA Max

SCHEMATICS



核准:	GORDEN	審核:	TSHEN	製圖:	YHW	东莞市振力泰电子有限公司 DONGGUANSHI ZHEN LI TAI ELECTRONICS CO., LTD.	
更改:	變更內容:	日期:	28-Aug-2021	修改:	核准:	角法:	一般公差:
						尺寸單位: mm	.X± 0.25
						比例: 1 : 1	.XX± 0.20
						P/N:	TJG-S1516B6NL
							RJ45-1000BASE POE 1X1 TAB-DOWN W/LED W/SHIELD
						NO:	ZLT-2108602
						REV:	XA