

CONNECT MATERIAL:

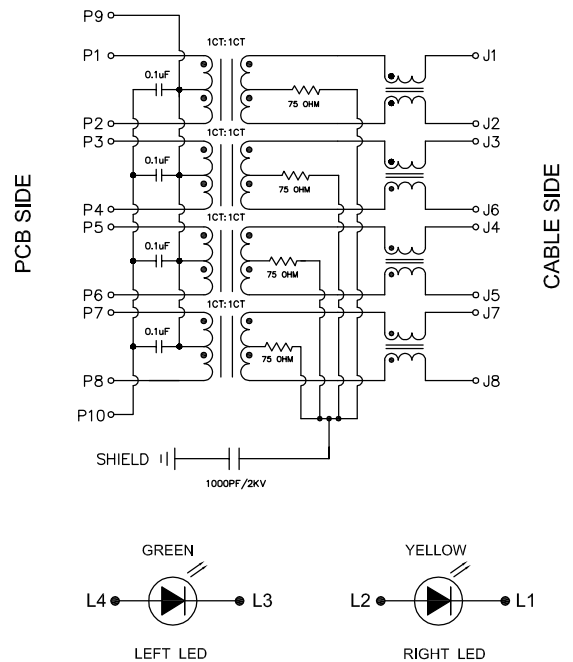
- 1.HOUSING: THERMOPLASTIC,PBT,UL94V-0,COLOR:BLACK;
- 2.INSERT: THERMOPLASTIC,PBT,UL 94V-0,COLOR:BLACK;
- 3.SIGNAL PIN:0.4\*0.4 THICKNESS COPPER ALLOY WITH BOTTOM LAYER NI 30-50U"; OVER TIN 60-120U";
- 4.SHIELDING: 0.2-0.24mm THICKNESS COPPER ALLOY WITH NICKEL(50-100U") PLATED;
- 5.RJ45 CONTACTS TERMINAL: PHOSPHOR BRONZE T=0.35mm SELECTIVE 6U" GOLD PLATED ON CONTACT AREA;

ELECTRICAL SPECIFICATIONS@25°C UNLESS OTHERWISE NOTED:

- 1.Turn Ratio(+/-5%): 1CT:1CT
- 2.Inductance OCL: 350uH Min @100KHz/0.1V/ 8mA DC Bias
- 3.Insertion Loss:
  - 1.0dB Max @1-100MHz
  - 1.2dB Max @100-125MHz
- 4.Return Loss:
  - 16dB Min @1-40MHz
  - 12dB Min @40-60MHz
  - 10dB Min @60-80MHz
- 5.Cross talk:
  - 30dB Min @1-100MHz
- 6.Common Mode Rejection:
  - 30dB Min @1-100MHz
- 7.Hipot Test:
  - 2250VDC 3S 1mA MAX
- 8.The Part Is Recommended For Wave Soldering Process Peak Soldering Temperature Is 260°C Max 3-5 Seconds .
- 9.Operating Temperature Range:-40°C~+85°C
- 10.Storage Temperature Range:-40°C~+85°C
- 11.LED Specification:

Emitting Color	$\lambda_d$ (nm)	$V_f@I_f=20mA$	$I_r@V_r=5V$
GREEN	560-580nm	1.8-2.5V	10uA Max
YELLOW	580-610nm	1.8-2.5V	10uA Max

SCHEMATICS



核准:	GORDEN	審核:	TSHEN	製圖:	YHW	<p>东莞市振力泰電子有限公司 DONGGUANSHI ZHEN LI TAI ELECTRONIC CO., LTD.</p>
更改:	變更內容:	日期:	15-Jan-2021	修改:	核准:	
角法:		一般公差:		P/N:	TJG-K25ARA6NL	RJ45-1000BASE 2X1 W/ LED W/ SHIELD NO: ZLT-2001213 REV: XA
尺寸單位:	mm	.X $\pm$ 0.38		比例:	1 : 1	