

RECOMMENDED PCB LAYOUT
COMPONENT TOP VIEW(TOLERANCE: ±0.08mm)

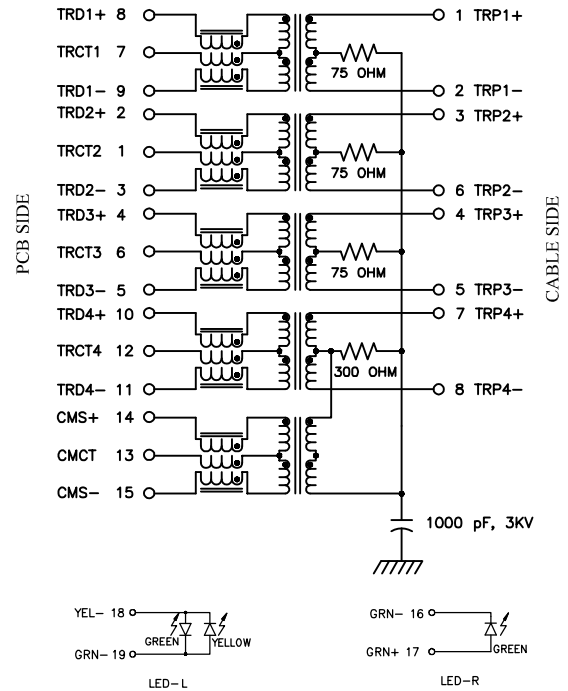
Connect Material:

- 1.Housing: Thermoplastic,PBT,UL 94V-0,Black.
- 2.Insert: Thermoplastic,PBT,UL 94V-0,Black.
- 3.Contact/Shield: Copper alloy
- 4.Shield Plating: Nickel
- 5.Contact Plating: Selective gold 6u" Min.

ELECTRICAL SPECIFICATIONS@25°C UNLESS OTHERWISE NOTED:

1. Insertion Loss:
 - 100KHz : -3.0dB
 - 1 ~ 400MHz : -2.0dB Max(-1.4 dB Typ)
 2. Return Loss:
 - 1 ~ 100MHz : -22dB
 - 100 ~ 500MHz : -22+18.27*LOG(f/100)dB
 3. Common to Differential Mode Rejection:
 - 1 ~ 250MHz : -30dB
 - 250 ~ 500MHz : -22dB
 4. Cross Talk:
 - 1 ~ 100MHz : -28dB
 - 100 ~ 500MHz : -19dB
 5. Common Mode Rejection Ratio:
 - 1 ~ 100MHz : -35dB
 - 100 ~ 300MHz : -30dB
 - 300 ~ 500MHz : -25dB
 6. Turns Ratio@ 1 : 1 ± 2%
 7. OCL@100KHz, 0.1V: 180uH Min
 8. Hi-Pot : 2250VDC, 1mA, 60Seconds
 9. Operating temperature: 0°C to +70°C
 - 10.Storage temperature: -20°C to +125°C
- Note: f is frequency in MHz.

SCHEMATICS



核准:	GORDEN	審核:	TSHEN	製圖:	YHW	东莞市振力泰电子有限公司 DONGGUANSHI ZHEN LI TAI ELECTRONICS CO., LTD.	
更改:	變更內容:	日期:	修改:	核准:	角法:	一般公差:	P/N: TJR-C1PZAA6NL
		26-Nov-2019			尺寸單位: mm	.X± 0.25	RJ45 10GBASE TAB-DOWN 15P8C W/LED W/SHIELD
					比例: 1 : 1	.XX± 0.20	NO: ZLT-2104002 REV: XA