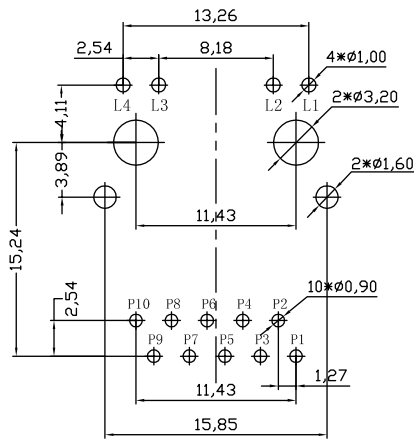
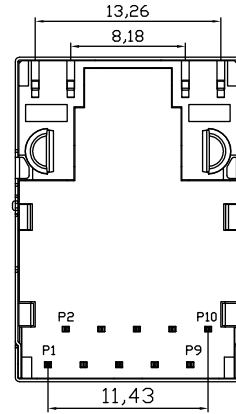
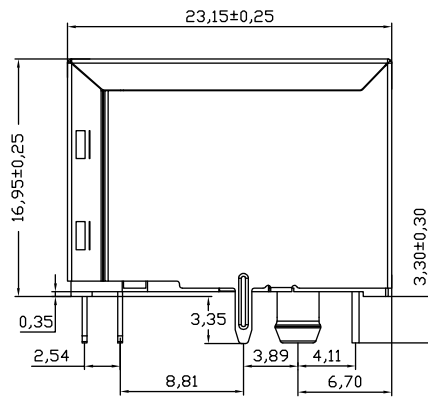
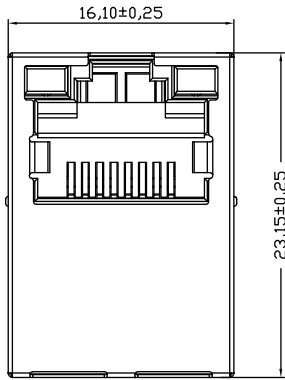
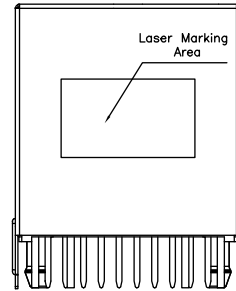


MECHANICAL:

RoHS compliant



RECOMMENDED P.C.B LAYOUT(PCB THICKNESS: 1.6mm)
COMPONENT SIDE VIEW(TOLERANCE: ±0.05mm)



TOP VIEW

Connect Material:

- 1.Housing: Thermoplastic,PBT,UL94V-0,Color:Black;
- 2.Insert: Thermoplastic,PBT,UL 94V-0,Color:Black;
- 3.Shield: Brass T=0.2mm,20u" Min Nickel Overall Plated;
- 4.Input Terminal: Brass T=0.35mm
- 5.Input And RJ45 Contact Terminal Plating:
50u" Min Ni UnderPlated Overall,80u" Min Tin On Solder Area;
- 6.RJ45 Contacts Terminal: Phosphor Bronze T=0.35mm
Selective 6u" Gold Plated On Contact Area;

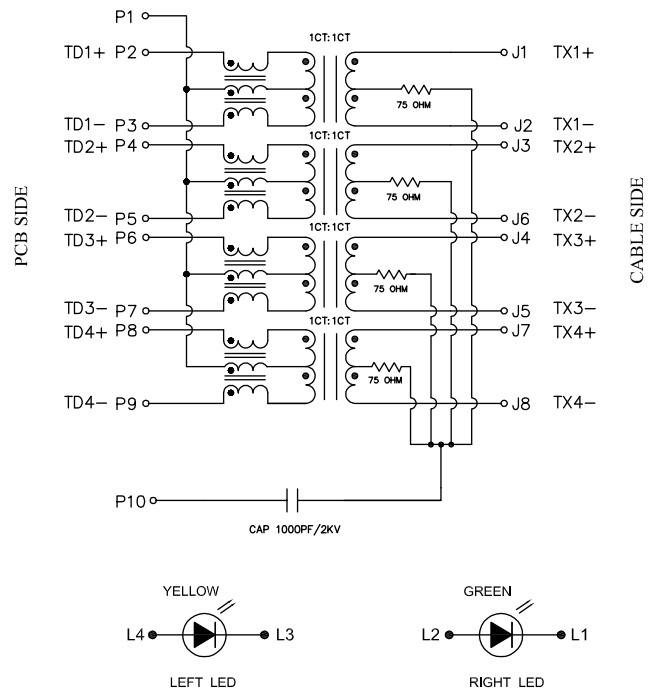
ELECTRICAL SPECIFICATIONS@25°C UNLESS OTHERWISE NOTED

TEST ITEM	SPECIFICATIONS	
URNS RATIO	1.00 ± 3%	
INDUCTANCE (OCL)	150uH Min @100kHz/0.1V	
INSERTION LOSS (SDD21&SDD12)	1-50 MHz	-0.5 dB Max
	50-125 MHz	-1.0 dB Max
	125-250 MHz	-1.5 dB Max
RETURN LOSS (SDD11&SDD22 Zref=100 OHMS±1%)	1-40 MHz	-20 dB Min
	40-250 MHz	-20+15*LOG ₁₀ (f/40) dB Min
CROSSTALK, ADJACENT CHANNELS (SDD21 - ADJ.)	1-125 MHz	-30 dB Min
	125-250 MHz	-20 dB Min
COMMON MODE REJECTION RATIO (SCC21)	30-250 MHz	-30 dB Min
COMM. TO DIFF. MODE REJECTION (SDC12)	10-250 MHz	-45+ f/35 dB Min
PCB SIDE - CABLE SIDE	2250VDC/1mA Min @3 SECONDS	

- 1.Operating Temperature: 0°C TO 70°C
- 2.RJ45 Meets IEEE 802.3 Standards.
- 3.RJ45 Cavities Conform To FCC Rules And Regulation Part 68 Subpart F.
- 4.LED Specification:

Emitting Color	λd(nm)typ	Vf@If=20mA	Ir@Vr =5V
GREEN	565nm	1.8-2.4V	10uA Max
YELLOW	585nm	1.8-2.4V	10uA Max

SCHEMATICS



核准:	GORDEN	審核:	TSHEN	製圖:	YHW	<p>东莞市振力泰电子有限公司 DONGGUANSHI ZHEN LI TAI ELECTRONICS CO., LTD.</p>
更改:	變更內容:	日期:	28-Aug-2021	修改:	核准:	
角法:		一般公差:	P/N:	TJK-L15BGB6NL	RJ45-5GBASE 1X1 180° W/ LED W/ SHIELD	
尺寸單位:	mm	.X± 0.25	NO:	ZLT-2108405	REV:	XA
比例:	1:1	.XX± 0.20				